

**For your safety, please read the following before using.**

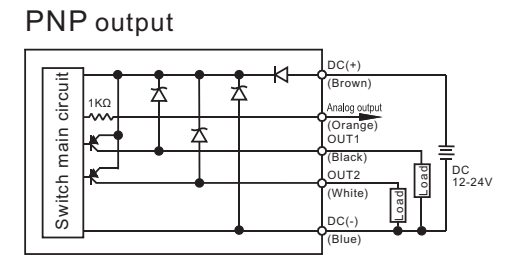
- Do not use corrosive or flammable gas or liquid with this product.
- Please use within the operating pressure range. Do not apply pressure beyond recommended maximum pressure, permanent damage to the pressure sensor may occur.
- Do not drop, hit or allow excessive shock (1000m/s<sup>2</sup> or 100G). Even if switch body appears undamaged, internal components may be broken and can cause malfunction.
- Turn power off before connecting wiring. Wrong wiring or short circuit will damage and / or cause malfunction.
- Do not use in environment containing steam or oil vapor.
- This product is not explosion-proof rated. Do not use in atmosphere containing flammable or explosive gases.
- Wiring for pressure switch should avoid power source line and high voltage line. If use in the same circuit, noise may cause malfunction.

SPECIFICATIONS		CODE 9000600
Rated pressure range		0.000 ~ 1.000MPa/0.00 ~ 10.00 bar
Operating /Setting pressure range		-0.100 ~ 1.000MPa / -1.00 ~ 10.00 bar
Withstand pressure		1.5MPa/15 bar
Fluid		Air, Non-corrosive gases ,incombustible gases
Set pressure resolution	MPa	0.001
	kgf/cm <sup>2</sup>	0.01
	bar	0.01
	psi	0.1
Power supply voltage		12 to 24VDC ±10%, Ripple (P-P) 10% or less
Current consumption		≤55mA
Switch output		PNP open collector 2 outputs Max. load current : 80mA Max. supply voltage: 24VDC Residual voltage : ≤1V (load current 80mA)
Repeatability(Switch output)		≤±0.2% F.S. ±1digit
Hysteresis	Hysteresis mode	Adjustable
	Window comparator mode	Fixed(3 digits)
Response time		≤2.5ms (chattering-proof function: 24ms, 192ms and 768ms selections)
Output short circuit protection		Yes
7 segment LED display		3 1/2 digit LED display (Sampling rate: 5 times/1sec.)
Indicator accuracy		≤±2% F.S. ±1 digit (ambient temperature: 25 ±3°C)
Indicator		Green LED (OUT1) Red LED (OUT2)
Analog output		Output voltage: 1 to 5V ±±2.5%F.S. (within rated pressure range) Linearity: ≤±1% F.S.
Environment	Enclosure	IP40
	Ambient temp. range	Operation: 0 ~ 50°C,Storage:-20 ~ 60°C ( No condensation or freezing)
	Ambient humidity range	Operation/Storage: 35 ~ 85% RH ( No condensation)
	Withstand voltage	1000VAC in 1-min (between case and lead wire)
	Insulation resistance	50Mohm min. (at 500VDC M, between case and lead wire)
	Vibration	Total amplitude 1.5mm,10Hz-55Hz-10Hz scan for 1 minute, two hours each direction of X,Y and Z
Temperature characteristic	Shock	980m/s <sup>2</sup> (100G),3 times each in direction of X,Y and Z
		≤±2% F.S. of detected pressure (25°C) at temp. Range of 0~50°C
Port size		G 1/8
Lead wire		5-conductor oil-resistance cable(0.15mm <sup>2</sup> )
Weight		105g(with 2-meter lead wire)

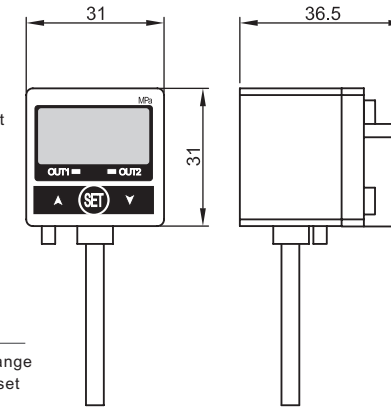
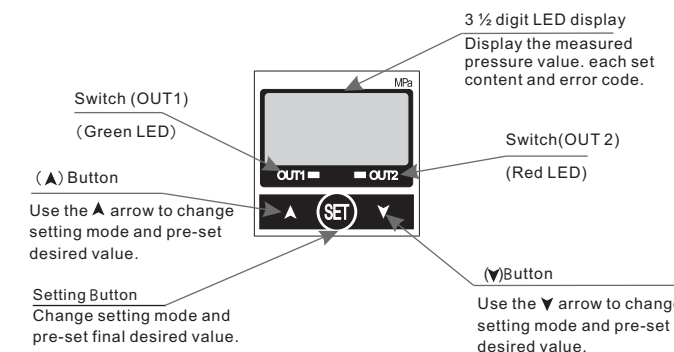
**ORDERING INFORMATION**

Positive pressure switch	Code 9000600
Mounting bracket BT-1+BT-2	Code 9000601
Panel adapter PA-1+PA-2	Code 9000602
Panel adapter+front protection lid PA-1+PA-2+FPC-1	Code 9000603

**OUTPUT CIRCUIT WIRING GRAPH**

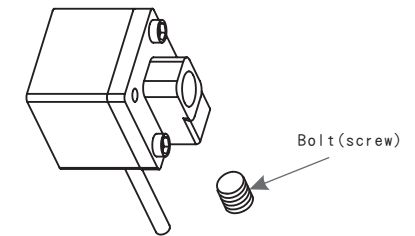


**UNIT DIMENSION / PANEL INSTRUCTIONS**



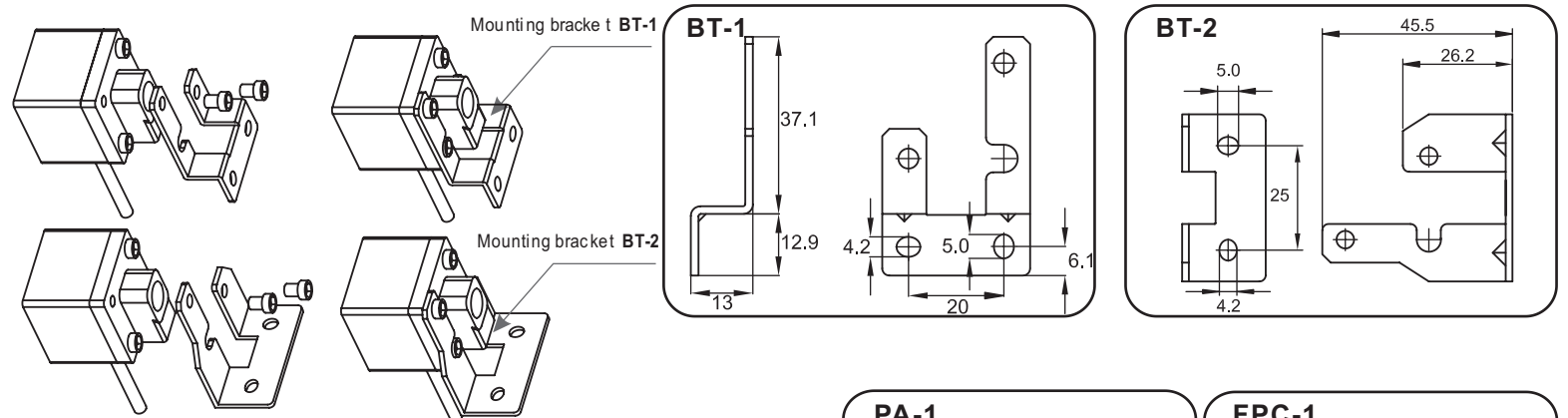
**INSTALLATION**

- This product has two inlet pressure ports, select the one most convenient for installation.
- Please plug the unused inlet port with supplied port plug. Use seal tape to prevent pressure leak.

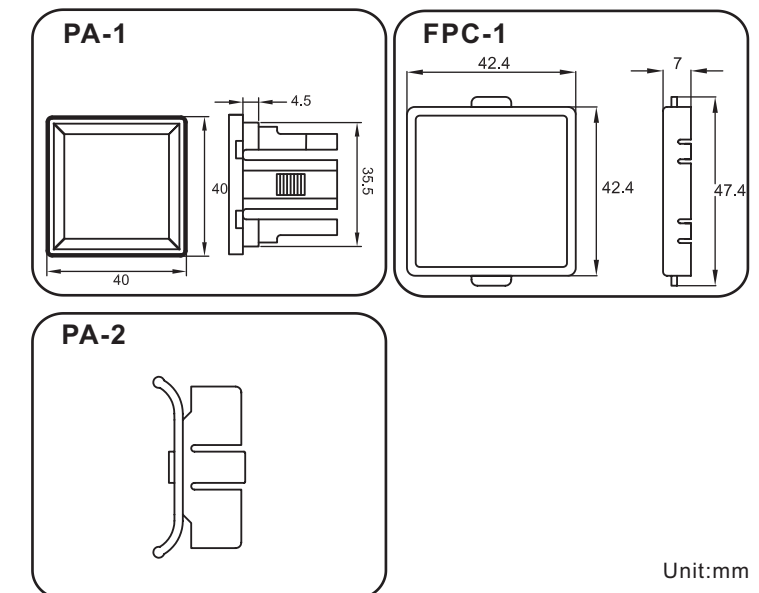
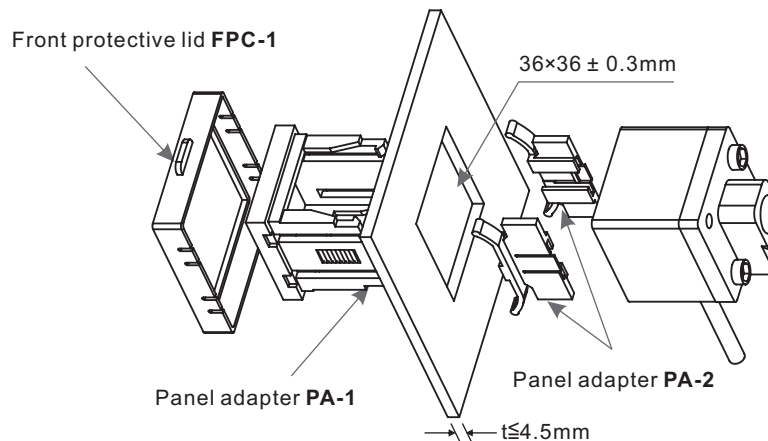


**TYPE OF SPARE PARTS / DIMENSION GRAPH**

**① Mounting bracket**



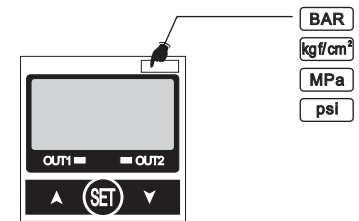
**② Panel type**



Unit:mm

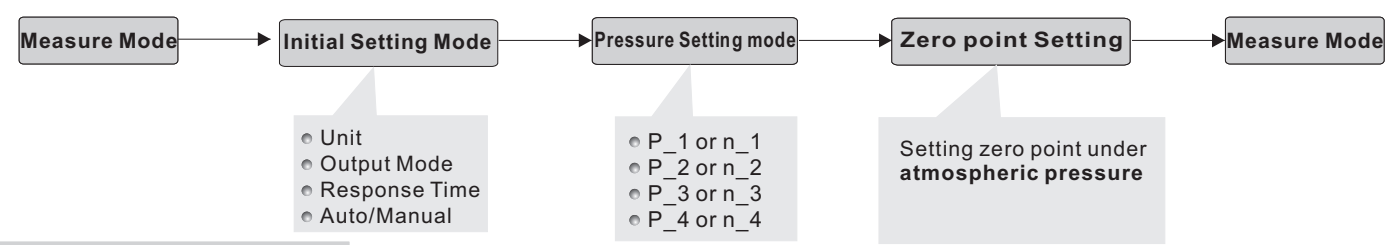
## CHANGE PRESSURE UNIT TAG

When the pressure setting is not **MPa**, please remove the pressure unit tag and place the selected tag on the indicated area of the faceplate to assure the pressure unit is not misemployed and that setting error does not occur.

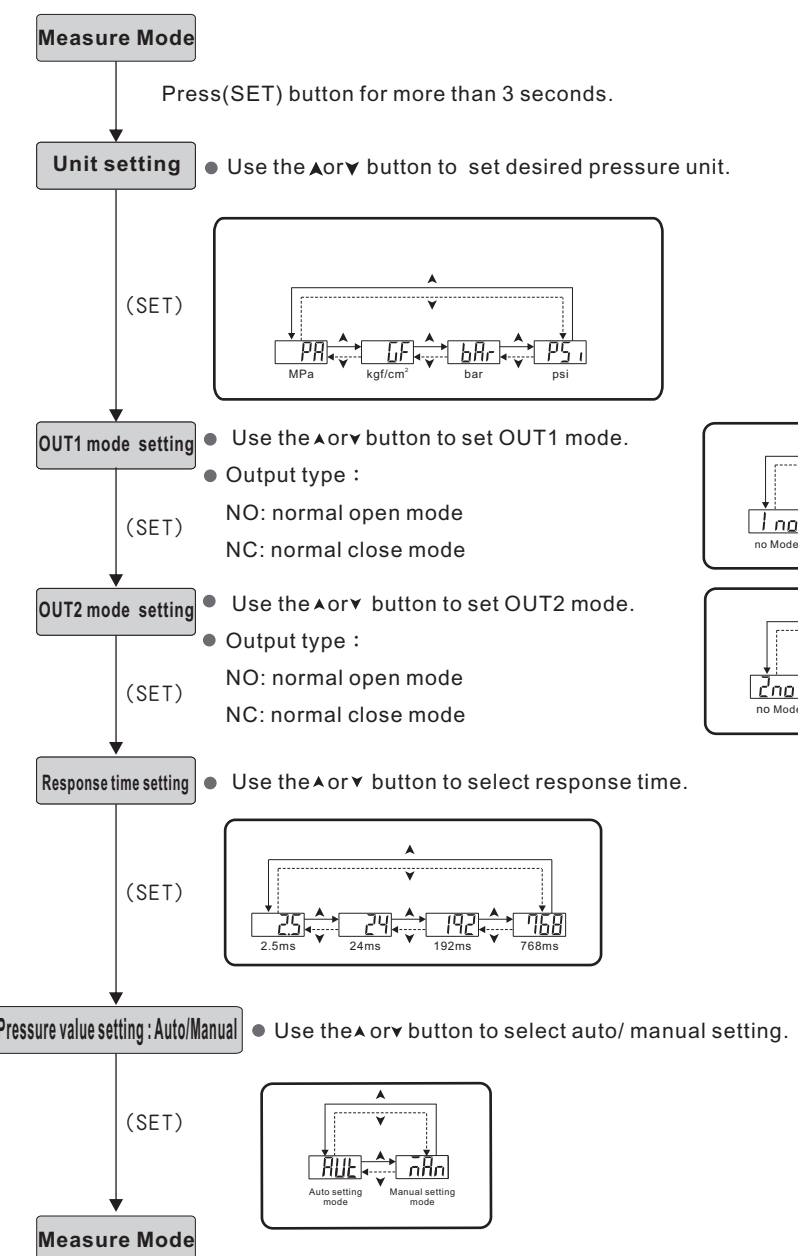


From	To	Pa	MPa	kgf/cm <sup>2</sup>	psi	bar
1 Pa		1	0.000001	0.00010197	0.000145038	0.00001
1 MPa		1000000	1	10.197	145.038	10
1 kgf/cm <sup>2</sup>		98066.5	0.0980665	1	14.2233	0.980665
1 psi		6895	0.006895	0.07031	1	0.06895
1 bar		100000.0	0.100000	1.01972	14.5038	1

## SETTING STEPS



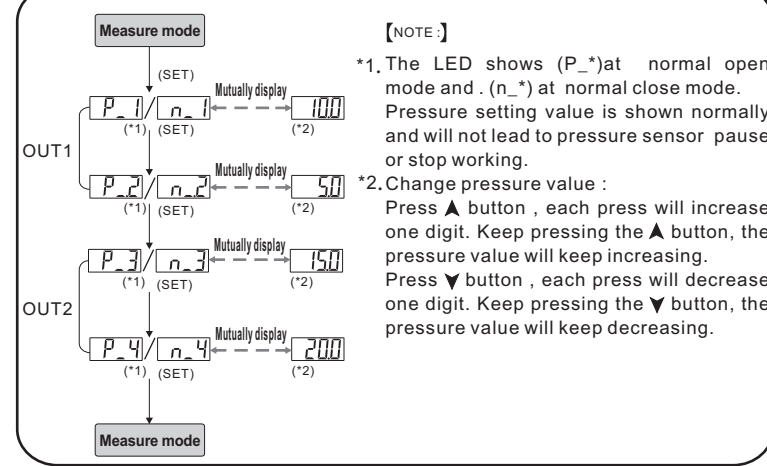
## INITIAL SETTING MODE



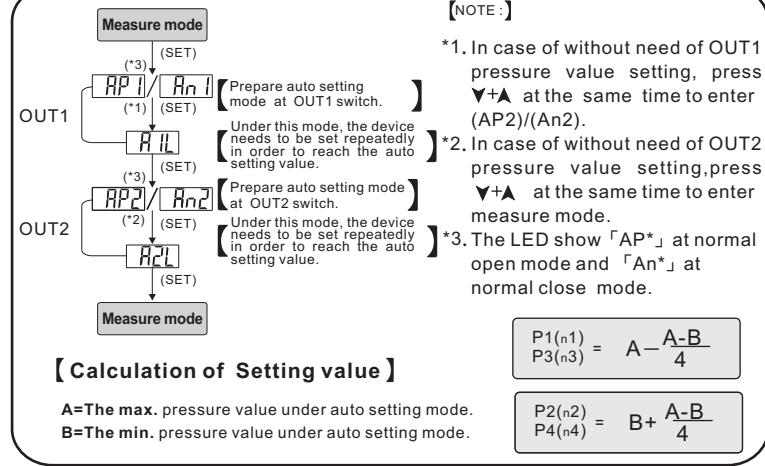
## PRESSURE SETTING MODE

Select auto/manual setting mode during initial set-up

### Manual setting mode

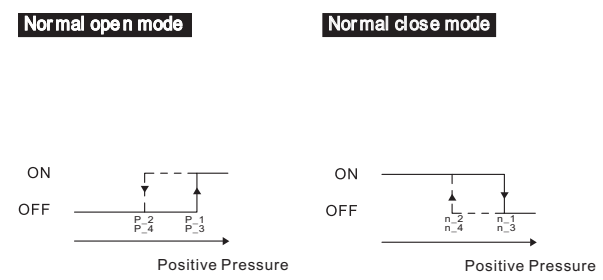


### Auto setting mode



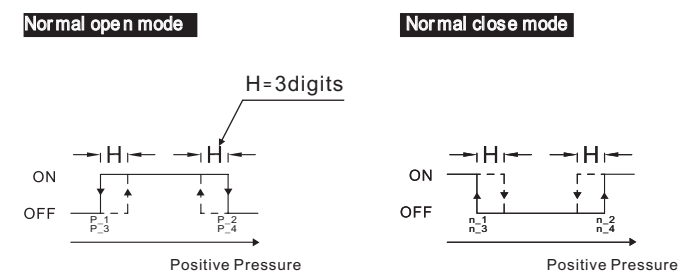
## OUTPUT TYPE

**Hysteresis Mode :** P1(n1)>P2(n2)  
P3(n3)>P4(n4)  
Output hysteresis value can be pre-set.



[ Note : ] When hysteresis mode setting is within 2 digits, if the input and pre-set pressure is quite near, pressure sensor output might cause chattering.

**Window comparator mode :** P1(n1)<P2(n2)  
P3(n3)<P4(n4)  
Within pressure setting range, pressure sensor output can be ON or OFF.



Note : Hysteresis is fixed in 3 digits.  
Pressure value level setting : At least 6 digits.

## ZERO POINT SETTING / THE MAX. & MIN. DISPLAY MODE

**Zero setting :**

- Press the ▼+▲ button at the same time until the "00" is shown. Release the button to end zero setting.

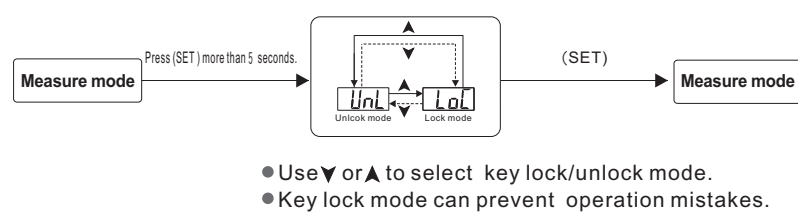
**The Max. value display mode :**

- Press ▲ button 2 seconds to enter the max. value mode, pressure sensor will detect the max. value and keep display.
- Press ▲ button 2 seconds to return to measure mode.

**The Min. value display mode :**

- Press ▼ button 2 seconds to enter the min. value mode, pressure sensor will detect the min. value and keep display.
- Press ▼ button 2 seconds to return to measure mode.

## KEY LOCK/UNLOCK MODE



## ERROR CODE INSTRUCTION

Error Name	Error code	Error instruction	Troubleshooting
Excess load current error	OUT1 Er1	Excess load current of 80 mA	Turn power off and check the cause of overload current or lower the current load under 80 mA, then restart.
	OUT2 Er2		
Residual pressure error	Er3	During zero reset, ambient pressure is over ±3 %F.S.	Change input pressure to ambient pressure and perform zero reset again.
Applied pressure error	---	The applied pressure is excess the upper limit of pressure setting.	Adjust the pressure within applied pressure range.
	---	The applied pressure is excess the lower limit of pressure setting.	
System error	Er4	Internal data error	Turn power off, and then restart. If error condition remains, please return to factory for inspection.
	Er6	Internal system error	
	Er7	Internal data error	
	Er8	Internal system error	